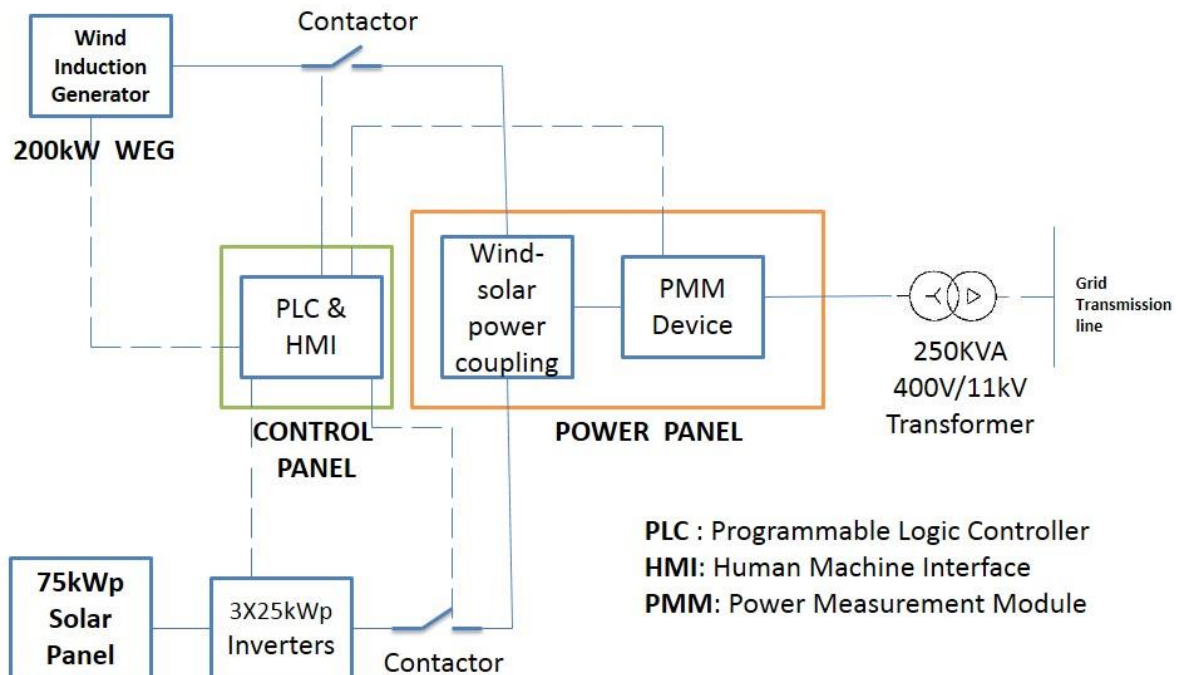


**Integration of 75kWp Solar PV Power with 200kW Wind Induction
Generator @ WTRS , KAYATHAR**
SYSTEM CONFIGURATION



Grid integration of 75 kWp solar PV power with 26 years old under performing 200 kW MICON wind induction generator (WEG) at Wind Turbine Test/Research Station, Kayathar, Thoothukudi Dist. T.N. for increasing the overall capacity utilisation factor (CUF) of the wind induction generator using the available existing land, transformer and transmission line etc. which is first of its kind nature in a wind farm, keeping wind power injection as reference output and adjusting the solar PV power using PLC & cluster controller arrangements, so that total power injection to the grid should not cross 200 kW ie connected load at any point of time.